



Castable Sump System

THE ONLY COMPLETE CASTABLE SUMP SYSTEM!

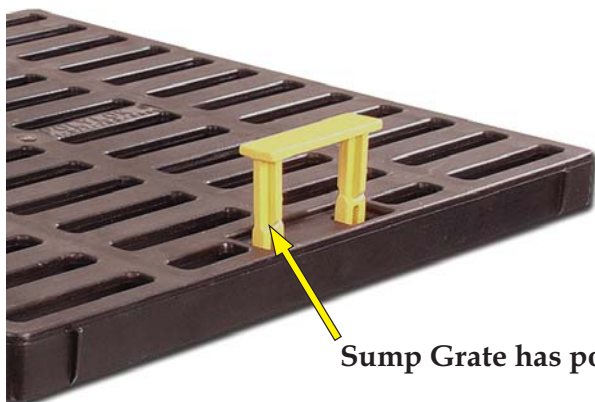


Cast A Sump Features:

- Sump grate has a higher specific gravity than water, allowing it to stay in place.
- Sump grate handle has a lower specific gravity so it floats when the sump needs cleaning.
- Polylok’s new sump form comes ready to use in any application, for any form.
- Sump grate will also work as rain drain/yard drain.
- Sump form is **FREE** with first order.
- For use in utility vault structures.
- Sump grate has pop-up handles.
- **Custom forms available, call for quote.**

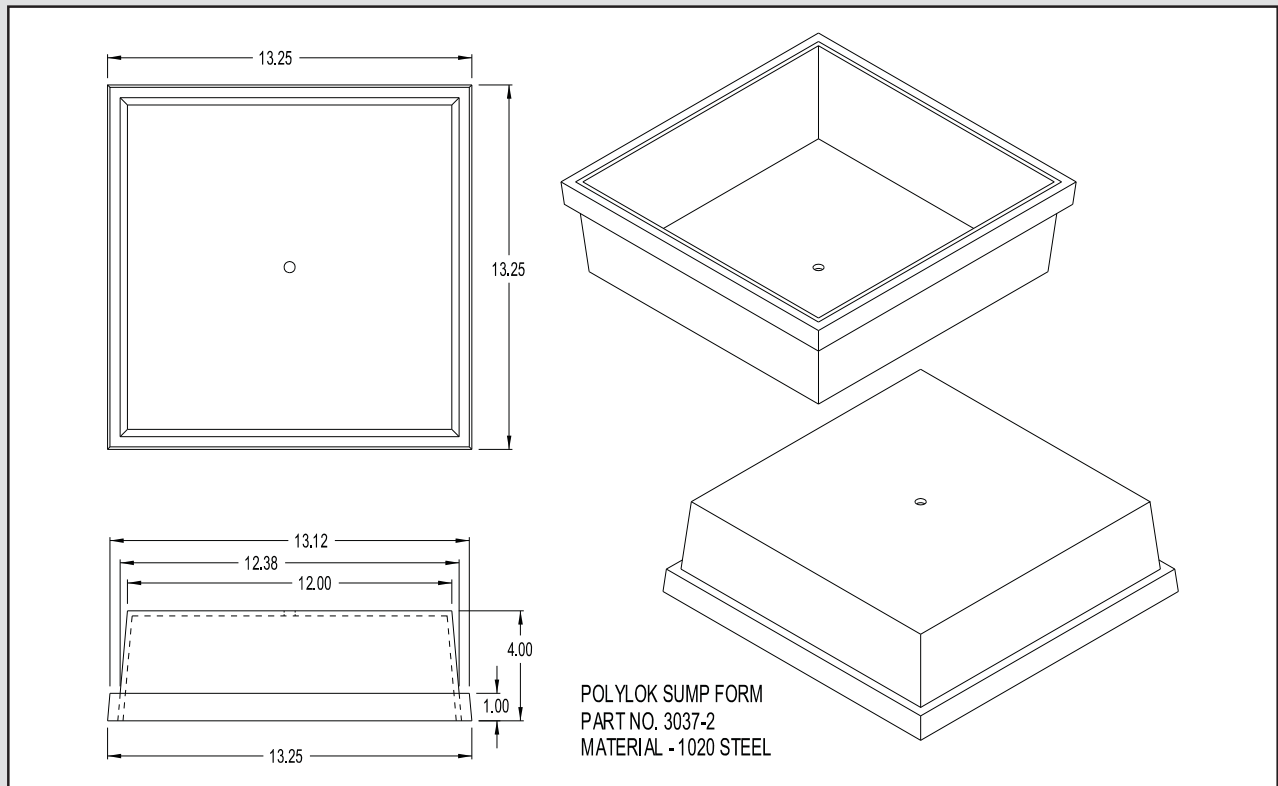


Sump Form FREE with first order



Sump Grate has pop-up handles

Castable Sump Form



Castable Sump System

